

MOTOMAN GP4

Handling & General Applications
with the GP-series



The MOTOMAN GP4 is the smallest 6-axis robot in Yaskawa's GP-series model range and offers high performance for a wide range of applications, such as flexible handling, machine tending and assembly applications, with a payload of up to 4 kg. Providing an outstanding repeatability of ± 0.01 mm, it is ideally suited for use in the electronics sector as well as for high precision assembly and quality testing applications.

But more than this, the MOTOMAN GP4 is extremely agile and fast – with axis speeds of up to 1000 %/s.

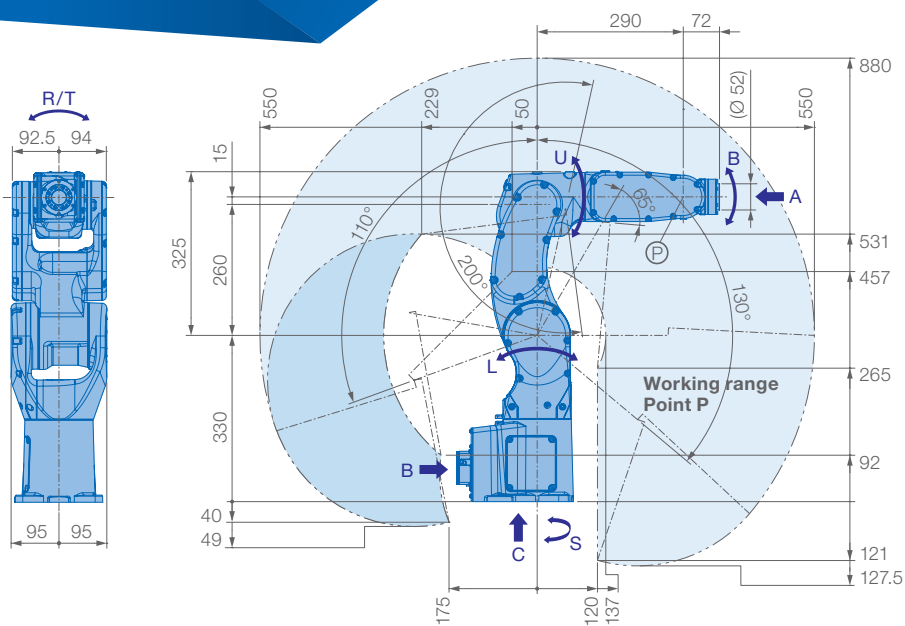
The high IP67 protection class allows it to be used for CNC machine tending even under harsh environmental conditions, and its small footprint and compact design allows installation even in the tightest spaces. Thanks to the integrated media and air supply, installation of grippers or sensors is easy.

The MOTOMAN GP4 is available with the YRC1000 or the YRC1000micro controller. Customers can select between the classical teach pendant or the innovative Smart Pendant for operation and programming. The optional MotoLogix interface allows full integration into PLC Programming Environment.

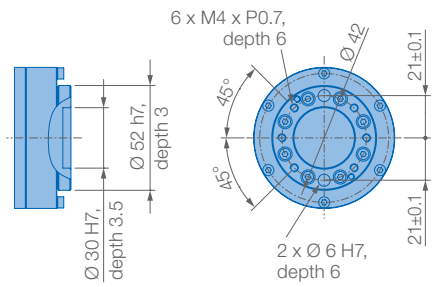
In terms of connectivity – I/O, Fieldbus, IoT, conveyors, machine vision and other sensors, the MOTOMAN GP4 benefits from all the versatile features, tools and options of the compact Yaskawa standard robot controller.

KEY BENEFITS

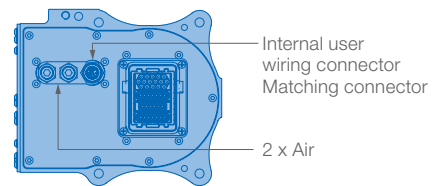
- High Motion Speed: up to 1000 %/s per axis
- Flexible mounting options: Floor, tilt, wall, ceiling
- Operation in confined spaces:
 - Compact design
 - Small footprint
- Payload: up to 4 kg
- Outstanding repeatability: ± 0.01 mm
- High protection class and easy cleaning: IP67



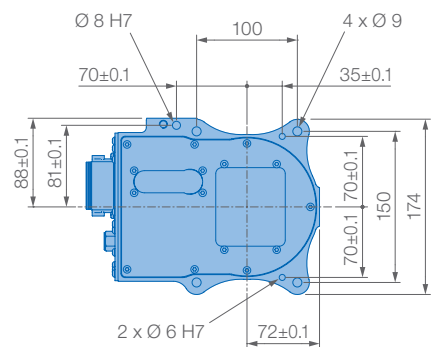
View A



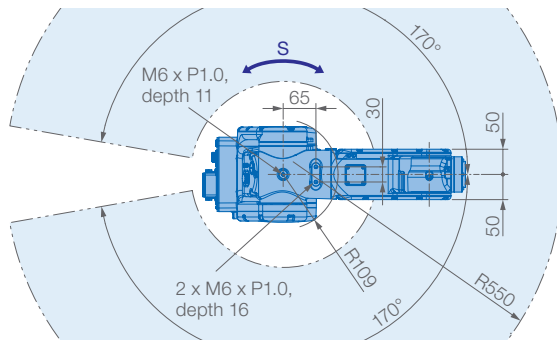
View B



View C

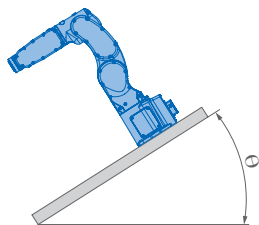


Mounting options: Floor, ceiling, wall, tilt
 Protection class: IP67
 Tilt angle without limitations
 No operating limit in S-axis

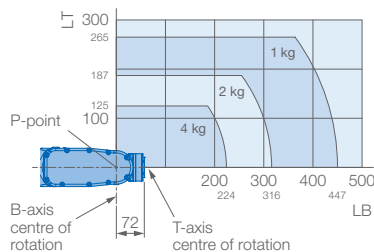


Prevent interaction of the robot with:

- Corrosive gases, liquids or explosive gases
- Exposure to water, oil or dust
- Excessive electrical noise (plasma)



Allowable wrist load



Specifications GP4						
Axes	Maximum motion range [°]	Maximum speed [°/s]	Allowable moment [Nm]	Allowable moment of inertia [kg · m ²]	Controlled axes	6
S	±170	465	–	–	Max. payload [kg]	4
L	+130/–110	465	–	–	Repeatability [mm]	±0,01
U	+200/–65	525	–	–	Max. working range R [mm]	550
R	±200	565	8.86	0.2	Temperature [°C]	0 to +45
B	±123	565	8.86	0.2	Humidity [%]	20 – 80
T	±455	1000	4.9	0.07	Weight [kg]	28
					Power supply, average [kVA]	1

Yaskawa Europe GmbH

Robotics Division
 Yaskawastraße 1
 85391 Allershausen
 Germany

Tel. +49 (0) 8166 90-0
 robotics@yaskawa.eu.com
 www.yaskawa.eu.com

YR-1-06VX4-A00
 A-02-2021, A-No. 215504