

Individual mounting

Inline

Series

31

33

34

36

32

37

38

52

53

54

67

68

69

41

43

44

23

24

46

42

47

48P

48

400

92

83

93

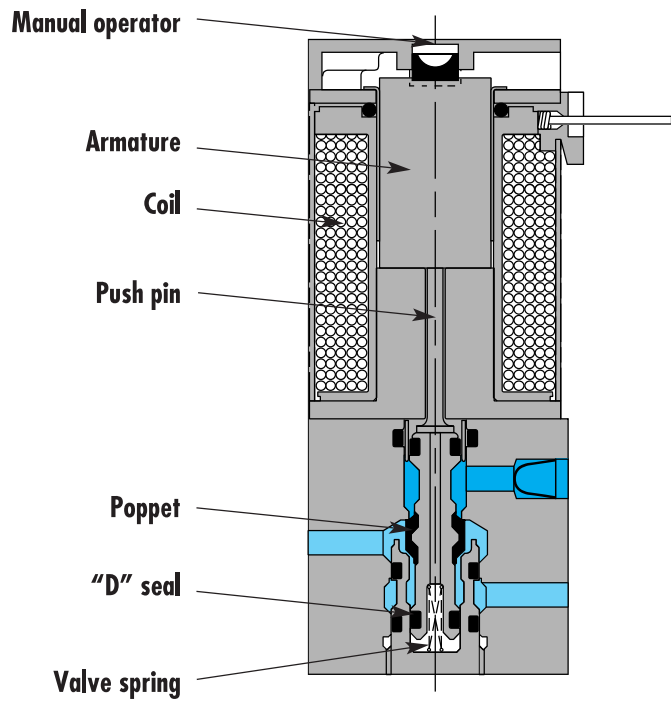
ISO 01

ISO 02

ISO 1

ISO 2

ISO 3



SERIES FEATURES

- High force MACSOLENOID®.
- Universal porting.
- #10-32 or M5 ports.
- Rated for lubricated or non-lubricated service.
- 10mm direct operated.



Direct solenoid and solenoid pilot operated valves


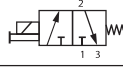
Function	Port size	Flow [Max]	Individual mounting	Series
3/2 NO-NC, 2/2 NO-NC	M5	120 NI/min	Inline	

OPERATIONAL BENEFITS

1. 10 mm valve, direct solenoid operated.
2. Balanced poppet, immune to variations of pressure.
3. Short stroke with high flow.
4. Patented solenoid develops high shifting forces.
5. Powerful return spring.
6. Manual operator standard on all valves.



HOW TO ORDER

Port size	Universal valve	NC only valve
M5	 34C-ABA-G XXX-XXX	 34C-ABB-G XXX-XXX

SOLENOID OPERATOR >

G XXX-XXX*

XX	Voltage	X	Wire length	X	Manual operator	XX	Electrical connection
AA	120 V~/2,5W	A	45 cm	1	Non-locking	BA	Flying leads
DC	24 V~/1,8W	B	60 cm			BT	Flying leads with light
DD	24 V~/2,5W	C	90 cm			GA	MAC JAC Solenoid plug-in
DF	24 V~/4,0W					GB	MAC JAC Solenoid plug-in with diode
						GC	MAC JAC Solenoid plug-in with MOV
						GD	MAC JAC Solenoid plug-in with LED
						GE	MAC JAC Solenoid plug-in with diode and LED
						GF	MAC JAC Solenoid plug-in with MOV and LED
						GG	MAC JAC Solenoid plug-in with rectifier
						GH	MAC JAC Solenoid plug-in with rectifier and LED
						KA	Mini connector
						KC	Mini connector with rectifier and light
						KT	Mini connector with light

Note : AC voltage requires connector with rectifier.
 * Other options available, see page 387.

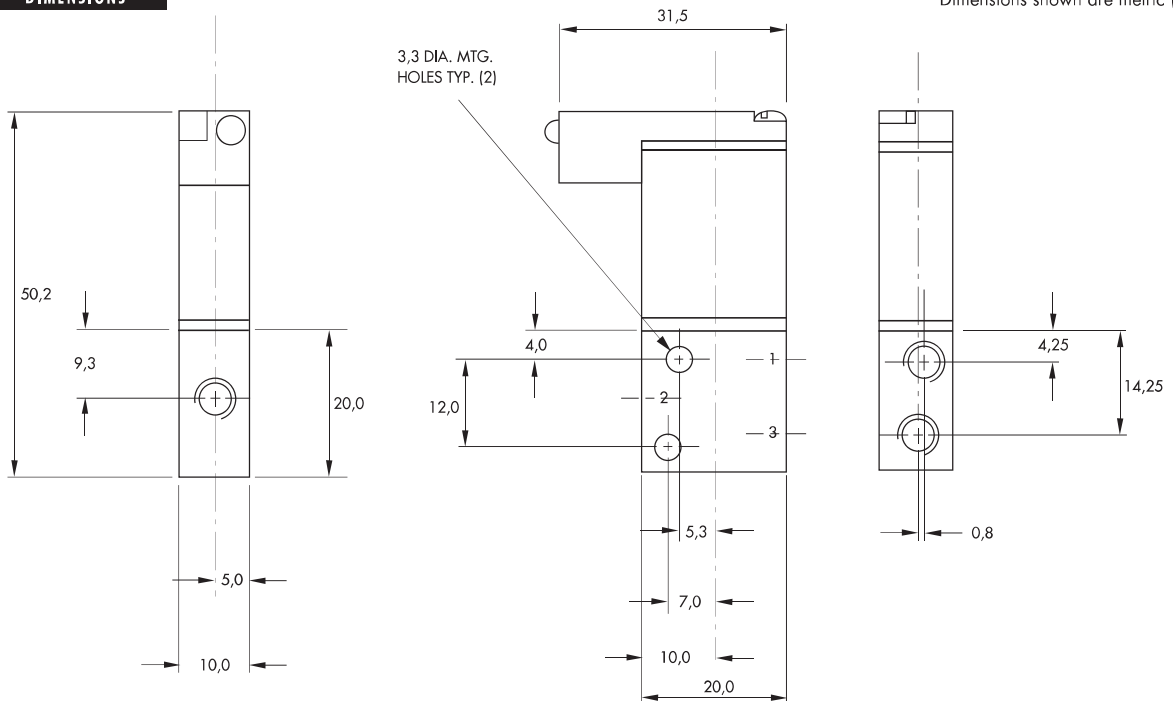
Washdown capability is possible for the "G" type electrical connector.
 Consult factory for ordering information

- 31
- 33
- 34**
- 36
- 32
- 37
- 38
- 52
- 53
- 54
- 67
- 68
- 69
- 41
- 43
- 44
- 23
- 24
- 46
- 42
- 47
- 48P
- 48
- 400
- 92
- 83
- 93
- ISO 01
- ISO 02
- ISO 1
- ISO 2
- ISO 3

TECHNICAL DATA

Fluid :	Compressed air, vacuum, inert gases
Pressure range :	Vacuum to 8 bar
Lubrication :	Not required, if used select a medium aniline point lubricant (between 80°C and 100°C)
Filtration :	40 µ
Temperature range :	-18°C to +50°C
Orifice :	1,8 mm
Flow :	4 W : 120 Nl/min (Cv 0,12) – 2,5 W : 100 Nl/min (Cv 0,10) – 1,8 W : 60 Nl/min (Cv 0,06)
Coil :	Epoxy encapsulated – 100% ED
Voltage range :	-15% to +10% of nominal voltage
Protection :	IP54 (electrical connection)
Power :	4 W – 2,5 W – 1,8 W
Response times : (with 4 W coil)	Energize : 3,4 ms De-energize : 1,5 ms

DIMENSIONS





0 p t i o n s

Codification table for voltages / Manual operator / Electrical connection

VALVE CODE > **G XX X-X XX**
1 2 3 4

OPTIONS AVAILABLE FOR

- Solenoid valves 32, 34, 38, 42, 44, 48 & 48P Series

1. VOLTAGE

G-XX X-X XX	VOLTAGE	
AA	120V~/2,5W	Requires electrical connector with rectifier
AC	24V~/4,0W	Requires electrical connector with rectifier
DA	24V=/1,0W	
DC	24V=/1,8W	
DD	24V=/2,5W	
DE	24V=/3,0W	
DF	24V=/4,0W	
DG	12V=/1,0W	
DJ	12V=/1,8W	
DK	12V=/2,5W	
DM	12V=/3,0W	
DN	12V=/4,0W	
DR	6V=/1,8W	
DS	6V=/3,0W	
EB	48V=/1,8W	
EC	48V=/3,0W	
ED	120V=/2,5W	
GD	12V=/0,5W	34 series only
GE	24V=/0,5W	34 series only

2. WIRE LENGTH

G-XX X-X XX	WIRE LENGTH
0	No lead wires (used only with "KJ" & "KM" connectors)
A	45 cm - 18" coil leads
B	60 cm - 24" coil leads
C	90 cm - 36" coil leads
D	120 cm - 48" coil leads
E	180 cm - 72" coil leads
F	240 cm - 96" coil leads
G	305 cm - 120" coil leads
H	366 cm - 144" coil leads
1	45 cm - 18" base leads
2	60 cm - 24" base leads
3	90 cm - 36" base leads
4	120 cm - 48" base leads
5	180 cm - 72" base leads
6	240 cm - 96" base leads
7	305 cm - 120" base leads

3. MANUAL OPERATOR

G-XX X-X XX	MANUAL OPERATOR
1	Non-locking recessed
2	Locking recessed
3	Non-locking extended
4	Locking extended

4. ELECTRICAL CONNECTION

G-XX X-X XX	ELECTRICAL CONNECTION
BA	Flying leads
BB	BA with ground wire
BC	BA with light
BD	BA with light and ground wire
BE	BA with suppression diode
BF	BA with suppression diode and ground wire
BG	BA with suppression diode and light
BH	BA with suppression diode, light and ground wire
BN	BA with suppression diode and blocking diode
BP	BA with suppression diode, blocking diode and ground wire
BR	BA with suppression diode, blocking diode and light
BS	BA with suppression diode, blocking diode, light and ground wire
GA	MAC JAC Solenoid plug-in
GB	MAC JAC Solenoid plug-in with diode
GC	MAC JAC Solenoid plug-in with MOV
GD	MAC JAC Solenoid plug-in with LED
GE	MAC JAC Solenoid plug-in with diode and LED
GF	MAC JAC Solenoid plug-in with MOV and LED
GG	MAC JAC Solenoid plug-in with rectifier
GH	MAC JAC Solenoid plug-in with rectifier and LED
KA	Mini connector
KB	KA with ground
KC	KA with rectifier and light
KD	KA with rectifier, light and ground
KE	KA with suppression diode
KF	KA with suppression diode and ground
KJ	Solenoid plug-in housing without wire assembly
KM	Solenoid plug-in housing with ground pin without wire assembly
KN	KA with suppression diode and blocking diode
KP	KA with suppression diode, blocking diode and ground
KT	KA with light
KU	KA with light and ground
KV	KA with suppression diode and light
KW	KA with suppression diode, light and ground
KX	KA with suppression diode, blocking diode and light
KY	KA with suppression diode, blocking diode, light & ground

ELECTRICAL CONNECTION FOR PLUG-IN VALVES

G-XX X-X XX	PLUG-IN OPTIONS
SB	Base plug-in with ground
SC	Base plug-in with suppression & blocking diode
SD	Base plug-in with suppression & blocking diode & ground
SE	Base plug-in with MOV
SF	Base plug-in with MOV & ground
SG	Base plug-in with rectifier
SH	Base plug-in with rectifier & ground
SK	Base plug-in with light & ground
SL	Base plug-in with suppression & blocking diode & light
SM	Base plug-in with suppression & blocking diode with light & ground
SN	Base plug-in with MOV & light
SP	Base plug-in with MOV & light with ground
SR	Base plug-in with rectifier & light