

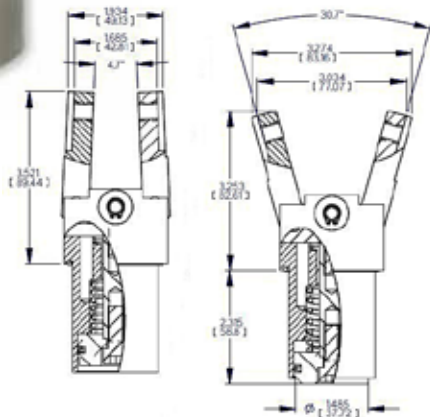
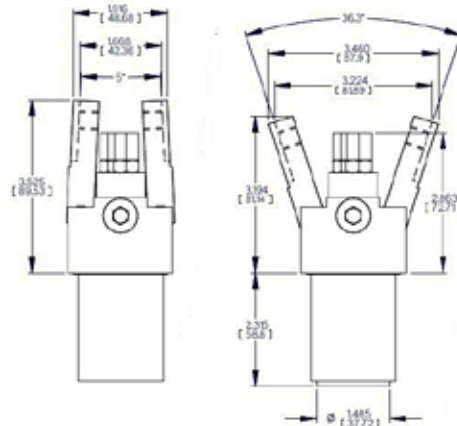
Glass Tong Head Gripper



ML#313449



ML#314047 (with adjustable opening angle)



Specifications

- Bore Ø40 mm
- Jaws when open angle 30,7°, full close 4,7°
- Jaws with Pre-hardened Steel
- Body coated
- Spring Open (spring installed between body and piston)

Benefits

- Drop-in replacement for Emhart®, BDF, Bottero®, Heye International®, GPS and other similar IS glass bottle manufacturing machines
- Compact and robust design
- Low friction piston seal for non-lubricated operation (reduced risk of container contamination)
- Jaw movement very precise, less container defects due to better jaw design without pivot pins, no jaw play!
- Less wear and longer lifetime (gripper in test has already achieved over 5 million cycles)
- Adjustable opening angle version available (ML#314047) when restrictions apply on the opening angle of the tong holder.

Application

The PHD Angular Glass Tong Head Gripper is designed to take out and place extremely hot glass containers (bottles, jars, etc.) from a forming machine onto a conveyer.



WPSEG78-EU

Glass

